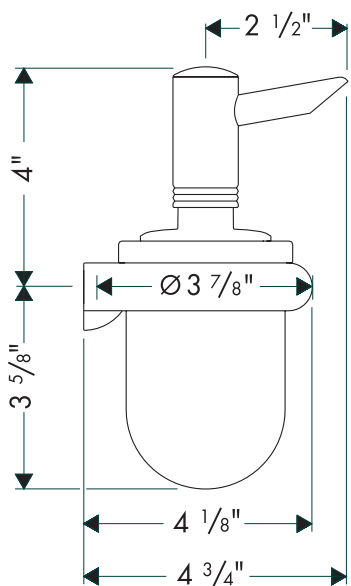


## Product Features

- Wall mounted
- Anti-clog pump liner

## Available Finishes

Chrome	06593000
Brushed Nickel	06593820
Polished Nickel	06593830



The measurements shown are for reference only.

Products and specifications shown are subject to change without notice.

Specification sheet revised 1/2008